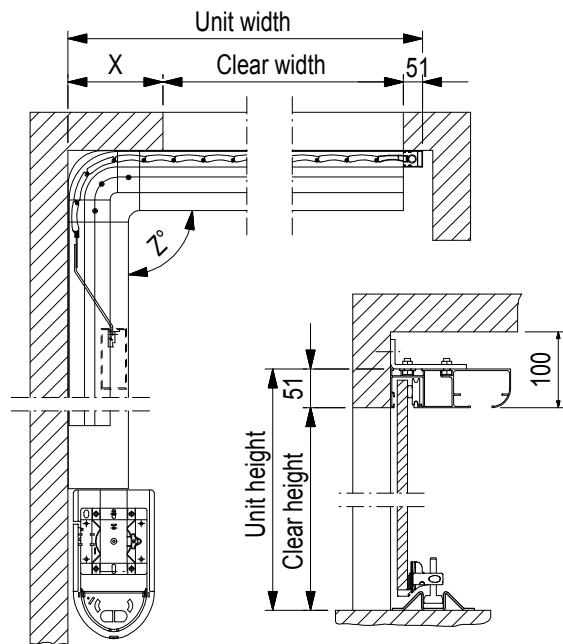


VERTICO

Different installation types



Z	min. X
89,0°-91,0°	130

Type 1:

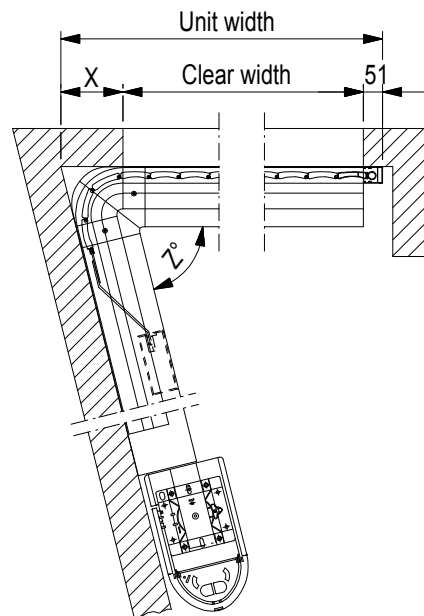
- Motor on wall side
- Single angle
- Angle at 90°

Maximum clear width	5620
Maximum unit width	6100
Maximum unit height	3050

Clear width	Required space wall side
- 2400	3485
2401 - 3000	4120
3001 - 4320	5410
4321 - 5620	6750

Standard dimensions

Minimum required space wall side= Clear width + 1100



Z	min. X
75,0°-77,0°	164
77,1°-79,0°	158
79,1°-81,0°	152
81,1°-83,0°	147
83,1°-85,0°	142
85,1°-87,0°	137
87,1°-88,9°	132
91,1°-93,0°	123
93,1°-95,0°	119
95,1°-97,0°	115
97,1°-99,0°	111
99,1°-101,0°	107
101,1°-103,0°	103
103,1°-105,0°	99
105,1°-107,0°	96
107,1°-109,0°	92
109,1°-110,0°	89

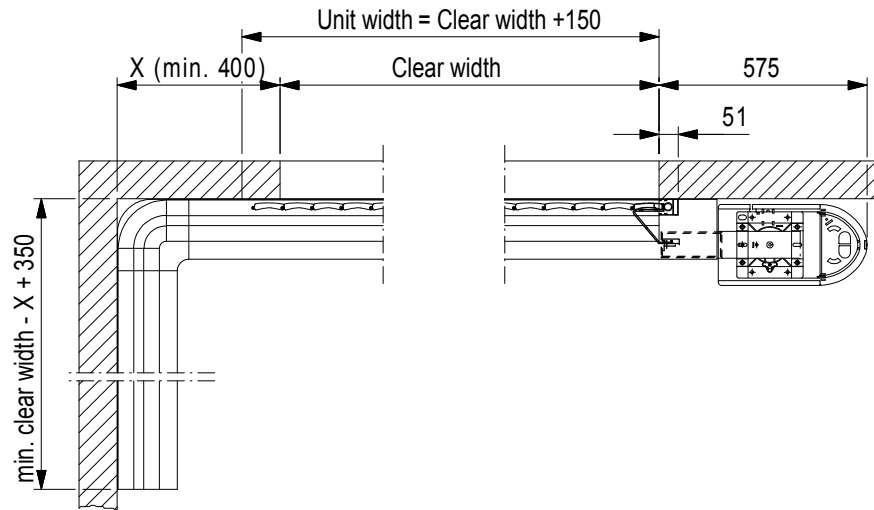
Type 2:

- Motor on wall side
- Single angle
- Angle different than 90° (75°-110°)

Extra charge:

VERTICO

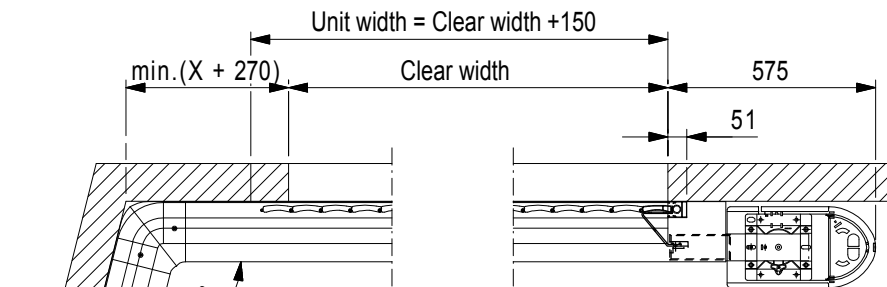
Different installation types



Type 3:

- Motor on closing side (closing edge)
- Single angle
- Angle at 90°

Without extra charge



Type 4:

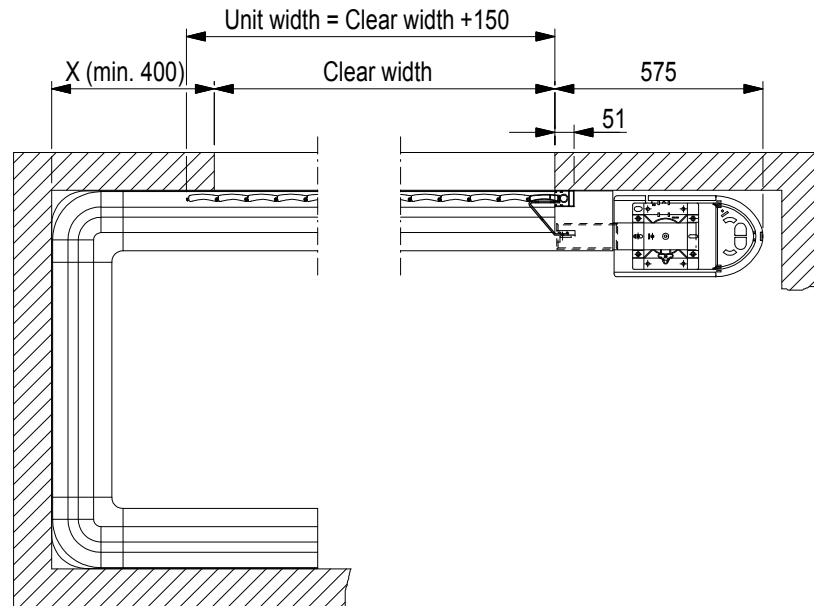
- Motor on closing side (closing edge)
- Single angle
- Angle different than 90° (75°-110°)

Extra charge:

Z	min. X	Z	min. X
75,0°-77,0°	164	91,1°-93,0°	123
77,1°-79,0°	158	93,1°-95,0°	119
79,1°-81,0°	152	95,1°-97,0°	115
81,1°-83,0°	147	97,1°-99,0°	111
83,1°-85,0°	142	99,1°-101,0°	107
85,1°-87,0°	137	101,1°-103,0°	103
87,1°-88,9°	132	103,1°-105,0°	99
		105,1°-107,0°	96
		107,1°-109,0°	92
		109,1°-110,0°	89

VERTICO

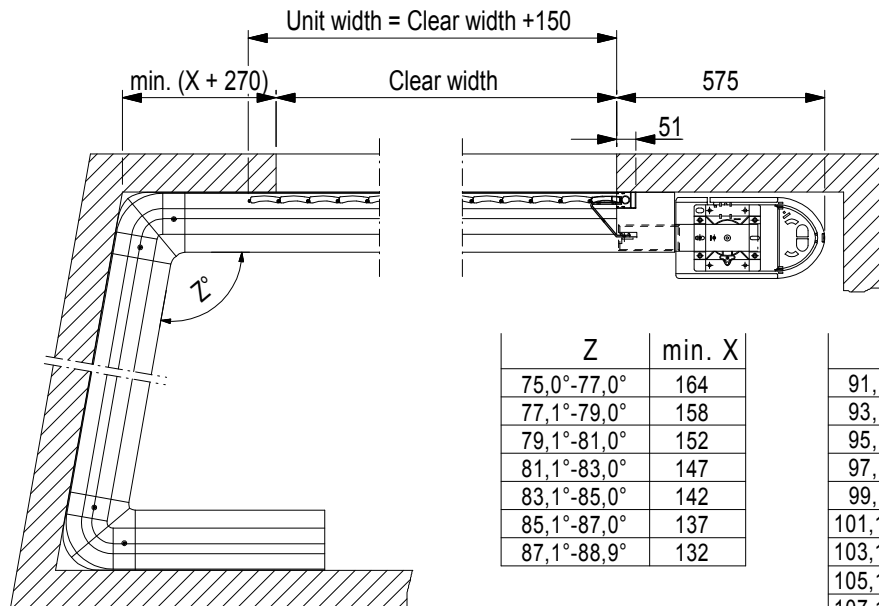
Different installation types



Type 5:

- Motor on closing side (closing edge)
- Double angle
- Angle at 90°

Extra charge:



Type 6:

- Motor on closing side (closing edge)
- Double angle
- Angle different than 90° (75° - 110°)

Extra charge:

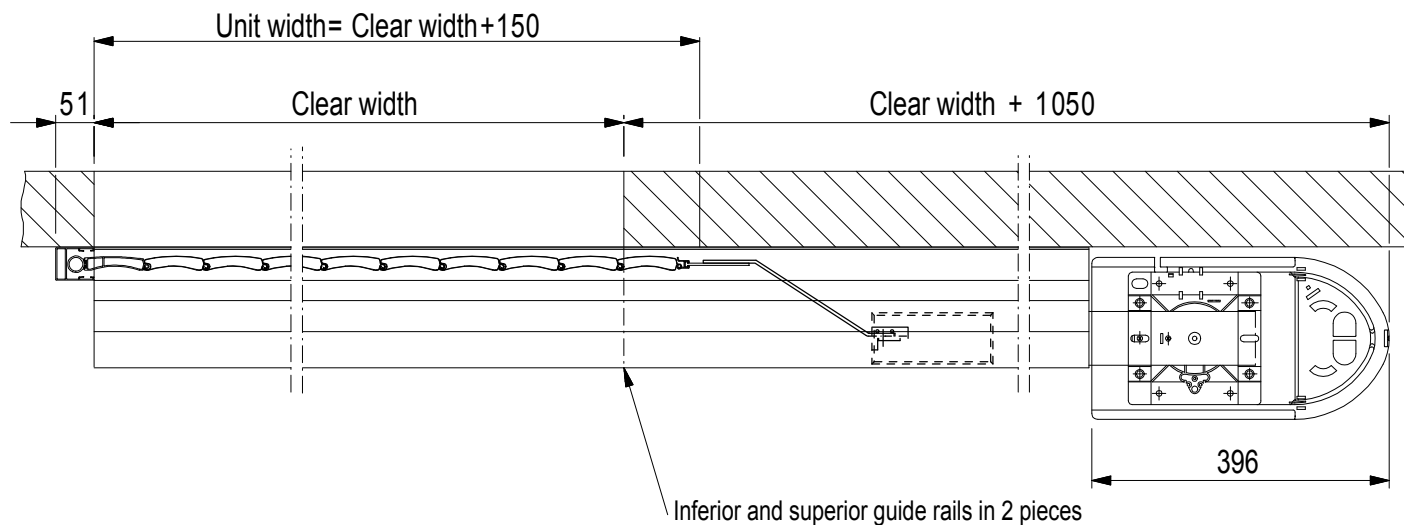
Z	min. X	Z	min. X
75,0°-77,0°	164	91,1°-93,0°	123
77,1°-79,0°	158	93,1°-95,0°	119
79,1°-81,0°	152	95,1°-97,0°	115
81,1°-83,0°	147	97,1°-99,0°	111
83,1°-85,0°	142	99,1°-101,0°	107
85,1°-87,0°	137	101,1°-103,0°	103
87,1°-88,9°	132	103,1°-105,0°	99
		105,1°-107,0°	96
		107,1°-109,0°	92
		109,1°-110,0°	89

VERTICO

Different installation types

Type 7:

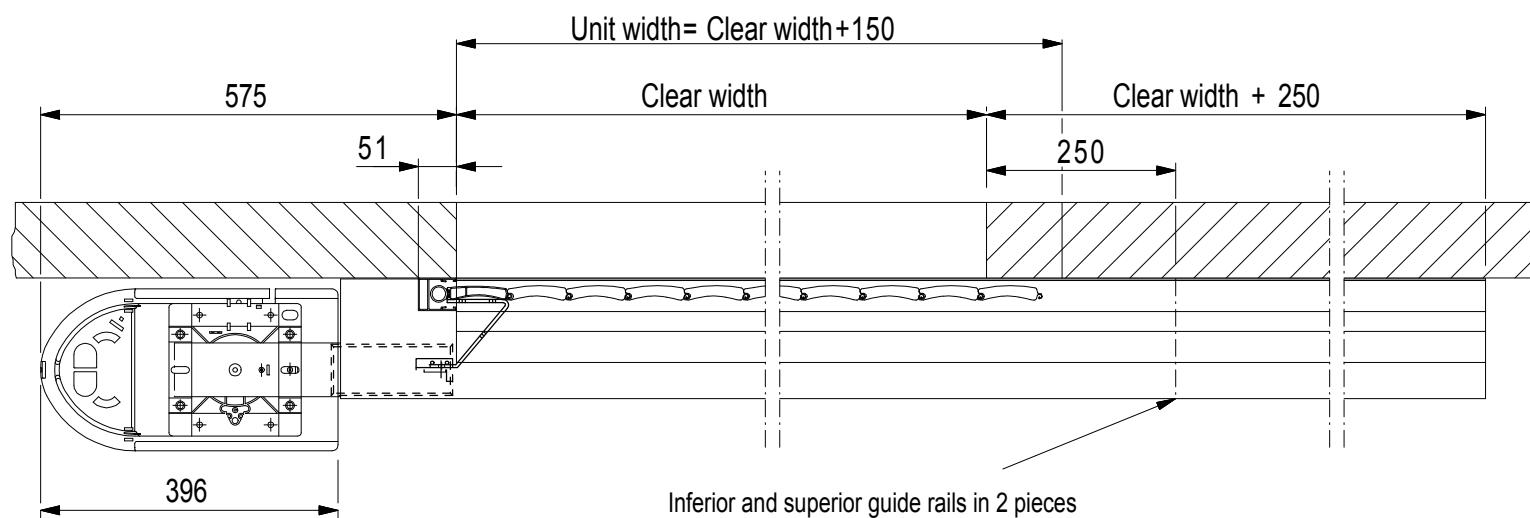
- Motor on closing side
(placed opposite to the closing edge)
- Without angle



Without extra charge

Type 8:

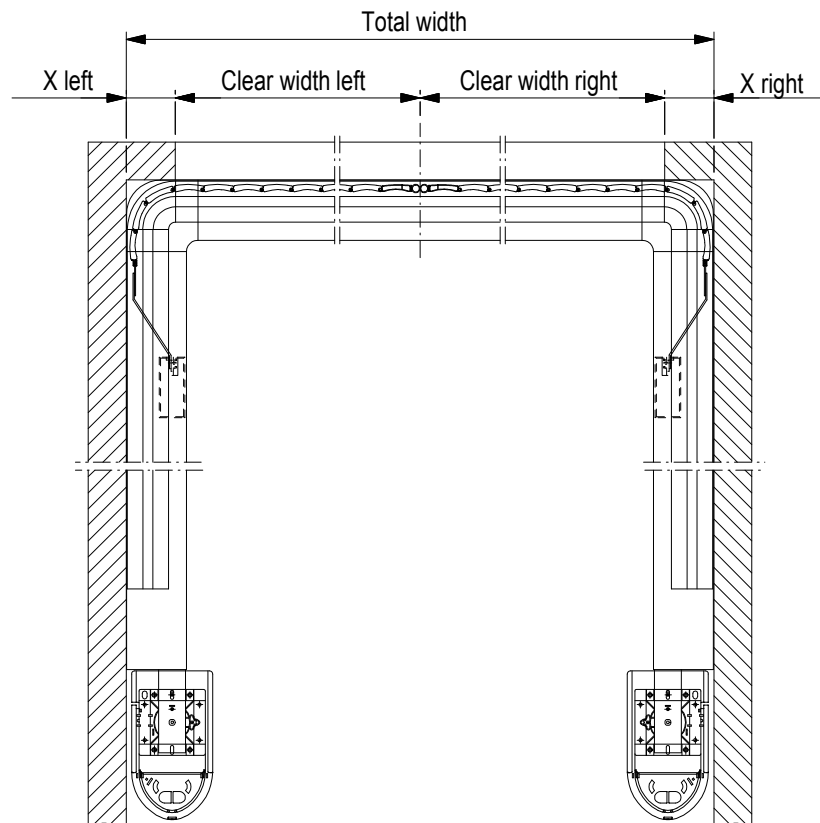
- Motor on closing side
(closing edge)
- Without angle



Without extra charge

VERTICO

Different installation types



Type 9:

- Corresponds to 2 x type 1

Type 10:

- Corresponds to 1 x type 1 and 1 x type 2

Type 11:

- Corresponds to 2 x type 2

Standard: Guide rails in 2 pieces in the opening

Option: Guide rails in 1 piece in the opening
(only possible with a maximum total width of 6100 mm)